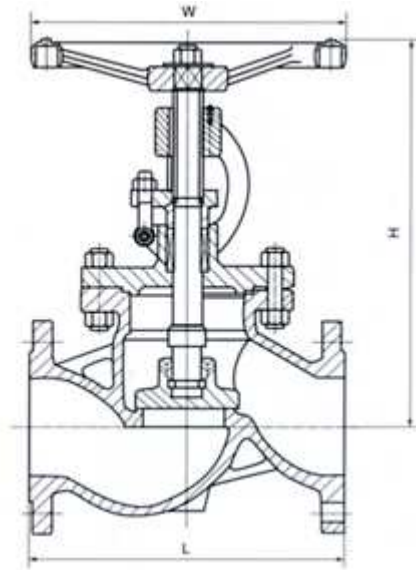




DIN F1 GLOBE VALVE



Features:

DIN F1 GLOBE VALVE

Technical specification

Structural Formation	BB-BG-OS & Y
Driving Manner	Hand-Operated
	Electric-Actuated
Design Standard	DIN3356
Face to Face	DIN3202
Flange Ends	DIN2543-2545
Test & Inspection	DIN3230

Notes: The size of serial, valve connecting flange can be design according to customers requirment.

Products performance specification

Nominal Pressure (Mpa)	Shell Test(Mpa)	Sealing Test(Mpa)	Suitable Temp(oC)	Suitable Medium
1.6	2.4	1.76	-110~600 oC	Water Oil & Gas
2.5	3.75	2.75		



4.0	6.0	4.4		
6.4	9.6	7.04		

Main Dimensions

unit:mm

Pressure (Mpa)	PN 1.6 Mpa															
Size	15	20	25	32	40	50	65	80	100	125	150	200	250	300	350	400
L	130	150	160	180	200	230	290	310	350	400	480	600	730	850	980	1100
H	240	260	276	285	300	305	354	402	437	496	541	699	815	914	1189	1350
W	120	140	160	160	180	200	200	250	250	300	350	400	450	500	550	600
Weight(kg)	5.2	7.1	7.4	8.5	13	20	25	35	50	75	100	210	446	648	805	1050

Pressure (Mpa)	PN 2.5 Mpa															
Size	15	20	25	32	40	50	65	80	100	125	150	200	250	300	350	400
L	130	150	160	180	200	230	290	310	350	400	480	600	730	850	980	1100
H	240	260	276	285	300	325	363	415	453	505	556	744	864	948	1269	1450
W	120	140	160	160	180	200	200	250	300	350	400	450	500	550	600	600
Weight(kg)	6	7.5	8	9	14	22	27	38	55	82	105	220	450	660	810	1100

Pressure (Mpa)	PN 4.0 Mpa															
Size	15	20	25	32	40	50	65	80	100	125	150	200	250	300	350	400
L	130	150	160	180	200	230	290	310	350	400	480	600	730	850	980	1100
H	240	260	276	285	300	325	370	430	480	532	589	783	888	965	1285	1512
W	120	140	160	160	180	200	200	250	300	350	400	450	500	550	600	600
Weight(kg)	6	7.5	8	9	15	24	30	41	60	85	110	225	460	670	830	1120